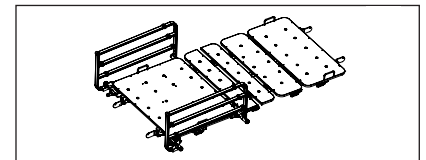
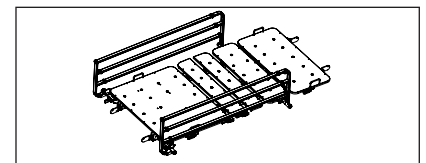
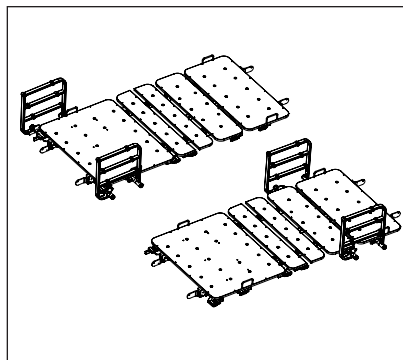
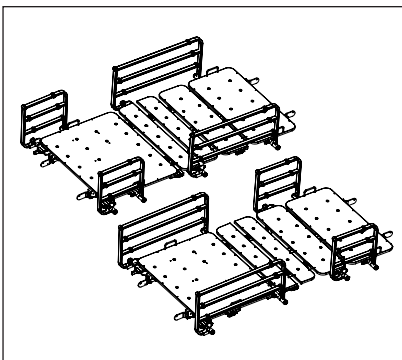




NEW ¼ length Side Rails

Healthcare Beds Accessories

- The new ¼ length side rail can be mounted on both the head and the foot end of all HC Ultra Low Beds.
- The ¼ length side rails are sold as a pair separately or as a part of a kit with the ½ length side rails.
- Included in all kits are the brackets needed for mounting on the bed.



Description

Item no.

¼ Length Side Rails	Pairs	72790
½ Length Side Rails	Pairs	72791
¼ + ½ Length Side Rails	Pairs	72792
¾ Length Side Rails	Pairs	72793



www.humancaregroup.com

AUSTRALIA
Unit 9, 271 Wells Road
Chelsea Heights, Victoria 3196
Phone: +61 3 8773 1111
Fax: +61 3 9773 4008
info.au@humancaregroup.com

CANADA
10-155 Colonnade Road
Ottawa, ON K2E 7K1
Phone: 613.723.6734
Fax: 613.723.1058
info.ca@humancaregroup.com

SWEDEN
Årstaängsvägen 21B
117 43 Stockholm
Phone: +46 8 665 35 00
Fax: +46 8 665 35 10
info.se@humancaregroup.com

UNITED STATES
4210 S. Industrial Drive, Suite 160
Austin, TX 78744
Phone: 512.476.7199
Fax: 512.476.7190
info.us@humancaregroup.com