




# Rebel

 To secure that the walking-aid will function safely for the user, once per year review of the walking-aid should be done. Therefore is the following interventions recommended.

**Cleaning**

When cleaning the walker it is recommended machine washing, 60 degrees for 10 minutes. When using a pressure washer, do not wash directly to the bearings. In addition to machine washing, regular cleaning with a mild cleanser is recommended. **Note!** Do NOT use thinner, petrol or other solvents.

**Post treatment**

After washing, all connections, tight spaces and drainage holes should be blown dry and sprayed with thin oil. If degreaser is used, should the moving parts be lubricated.

**The Paint**

Control damages to the paint. To prevent corrosion, improve scratches. Touch-up paint can be ordered from Human Care HC AB.

**Pipe frame**

Control weldings and screw attaches. If the corrosion is extensive shall the rollator be replaced.

**Handle**

Must be fixed. Make sure the handle pipes can be pushed down to the chassis. Change the grip if needed. **Note!** Only use alcohol without moisturizing agents.

**Brakes**

Control that both brakes and parkingbrakes are working. Wires should be intact and stapped to the chassis.



**Wing nut**  
Control function.

**Reflectors**  
Make sure the reflectors are still there and visible.

**CE-marking**  
Make sure that the CE-marking is still there and readable.

**Wheels**  
Make sure the wheels are not worn-out and are spinning easily without any noise.

**Lubrication**  
Gatebushings and hinges should be working without any noise. Lubricate when needed.

**Front forks**  
Make sure that the ball bearings is firmly attached. Check the front fork inertia by allowing the wheel to swing between 3 and 9 o'clock. Both wheels shall swing 3 to 10 times with max 2 swings difference between each wheel. The inertia can be adjusted by adjusting the screw M12x56/M12x45. **Note!** When adjusting the inertia, the screw M12x56/M12x45 and screw M6x7 must be exchanged.

**Folding mechanism**  
Should be intact and the locking should function.

**Seat**  
Make sure the seat is kept in place and screws are tightened.

**Stability**  
Control that all wheels are steadily on the ground and that there are no chassis distortion.

**Test driving**  
Make a final control by test driving.





# RECONDITIONING MANUAL

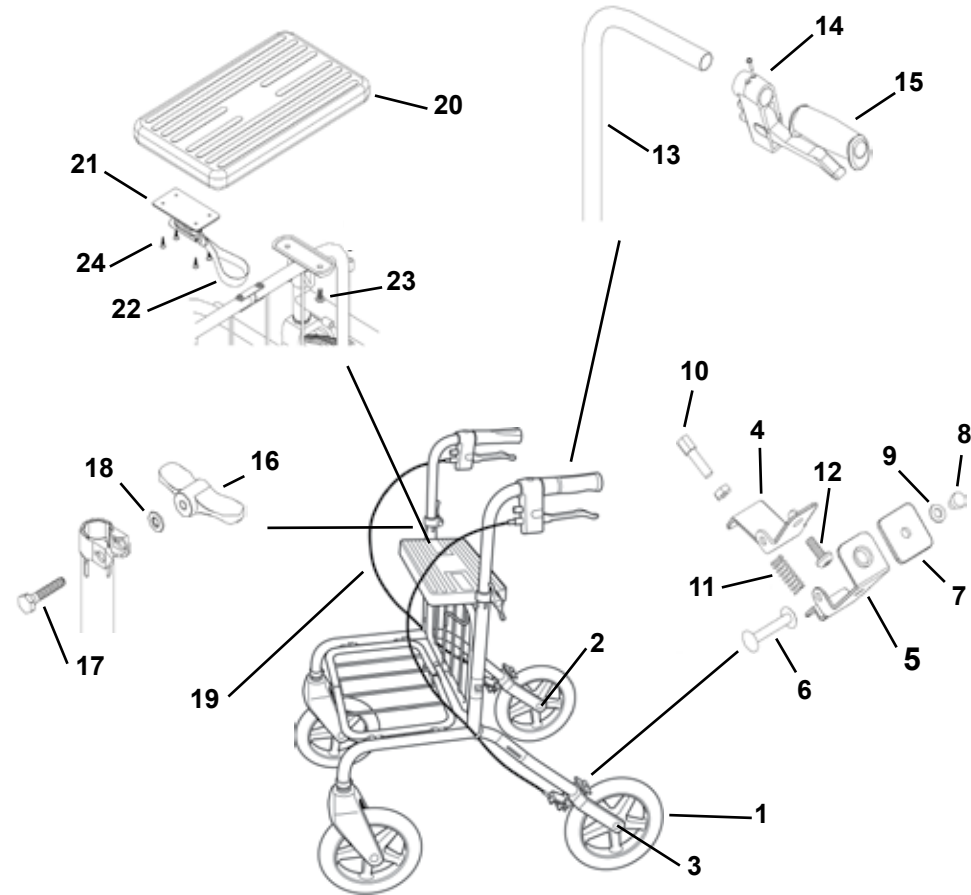
	<b>Wing nut complete</b>		<b>50937</b>	<i>Lubricate the wing nut when needed.</i>
16	Wing nut	1		
17	Screw	1		
18	Washer	1		
	<b>Wire complete</b>		<b>89050</b>	
19	Wire housing	1		
	Wire	1		
	Wire lock	1		
	Wire end	1		
	<b>Seat kit</b>		<b>89020</b>	
20	Seat	1		
21	Gate lock	1		
22	Fold loop	1		
23	Screw M6x20	1		
24	Screw to gate lock	1		
	<b>Seat complete</b>		<b>89070</b>	
20	Seat	1		
23	Screw M6x20	2		
	Tube protection	1	50949	
22	Fold loop	1	10-009	
	<b>Gate lock kit</b>		<b>10-018</b>	
21	Gate lock	1		
24	Screw to gate lock	4		
22	Fold loop	1		
	Reflex	1	00028	
	Touch-up paint	1	F2	

### Spareparts Rebel low (Art. no: 21111, 21211, 21311, 21411)

	<b>Front fork</b>			<i>Until 201303</i>
	Cover	1	20-014	
	Locking washer	1	00111	
	Distance washer	1	00136	
	Spring	1	00130	
	Washer	1	20-030	
	Front fork	1	200-006	<i>Pin bolt and wheel nut must be exchanged when disassembling the fork.</i>
	Bushing	2	20-026	
	Cover	1	70886	<i>From 201304</i>

### Spareparts Rebel reinforced (Art. no: 71221, 71321, 71421)

	<b>Wheel kit back</b>		<b>89086</b>	<i>Pin bolt and wheel nut must be exchanged when disassemble the wheel.</i>
1	Complete wheel	1		
2	Wheel nut	2		
	Pin bolt	1		
	Handle	1	89033	<i>When changing the handle, the upper part of the reinforcement beam must be removed.</i>
	<b>Pin bolt &amp; wheel nut for rear wheel</b>		<b>89091</b>	<i>Pin bolt and wheel nut must be exchanged when disassemble.</i>
2	Wheel nut	2		
	Pin bolt	1		



• Årstaängsvägen 21B, SE-117 43 Stockholm, Sweden •  
 • Tel. +46(0)8 - 510 132 00 • Fax +46(0)8 - 665 35 10 •  
 • www.humancaregroup.com •